

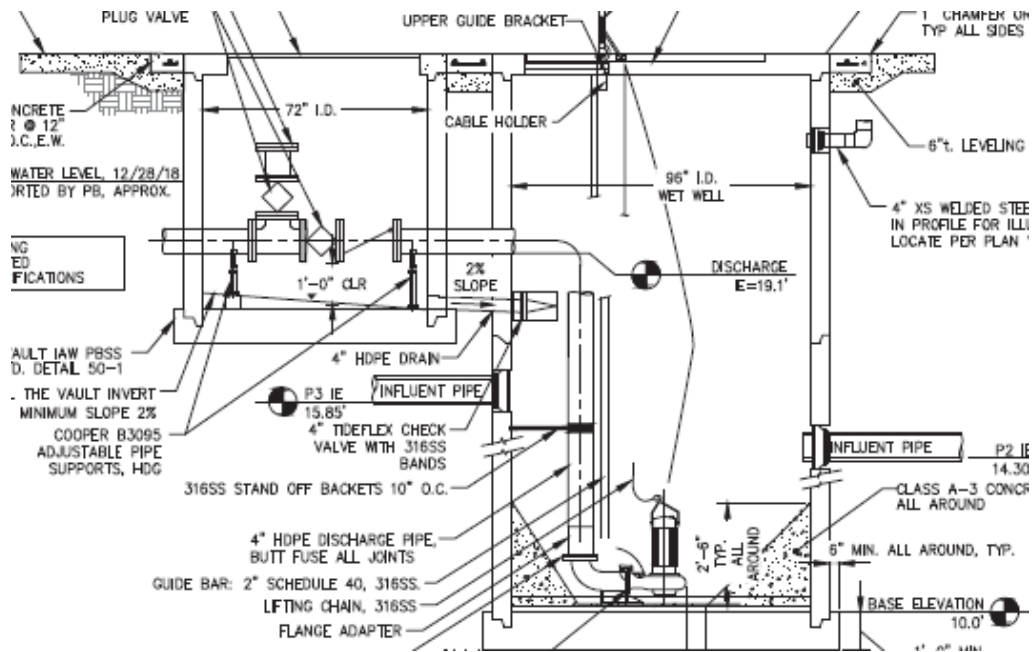
Project: Skylark Pump Station Replacement

Department: Wastewater

The Skylark Pump Station is located approximately 1/2 mile south of the ferry terminal, near where the former Skylark Welding shop was located in the 1980's and 90's. This station accepts all flow from Scow Bay and pumps it a short distance near the Veterinary Clinic, where gravity takes the flow to Pump Station 1 by Alaska Commercial Electronics. The design of this station is similar to the Scow Bay 1 design that the Borough will be changing with a project in this fiscal year. The dry well, which contains the pumps, is directly above the wet well with the two being separated by a hatch. The Borough has found this configuration and design to be poor as the pumps rely on a self-priming system that is less than reliable and can fail to prime the pumps when needed. If this occurs, the level in the wetwell rises until it can flow into the drywell and submerge the pumps, motors and in some instances, the electrical control cabinets to the pumps.

As the Borough has seen with Scow Bay 1, Skylark pump station is need of upgrades due to increased development in Scow Bay which has increased flow from this area. Pump stations need to be capable of passing all flow that they receive without backing up wastewater into the collection system. The project to upgrade Skylark PS will install a submersible station with higher capacity and more efficient pumps to handle the increased flow and provide many years of capacity for this part of the system. The estimated cost for this project is \$550,000 and will be very similar to the Scow Bay 1 project that will be bidding in October.

If this project is not completed, it will become the weak point in the pump station system in terms of capacity and if it fails, it could cause a cascading effect of turning off stations further south to protect homes in the immediate area and bypassing the collection system (pumping directly to the Wrangell Narrows) to avoid damage from inundation to the station and backflow into homes.



The new configuration for Skylark Pump Station (wet well with submersible pumps)